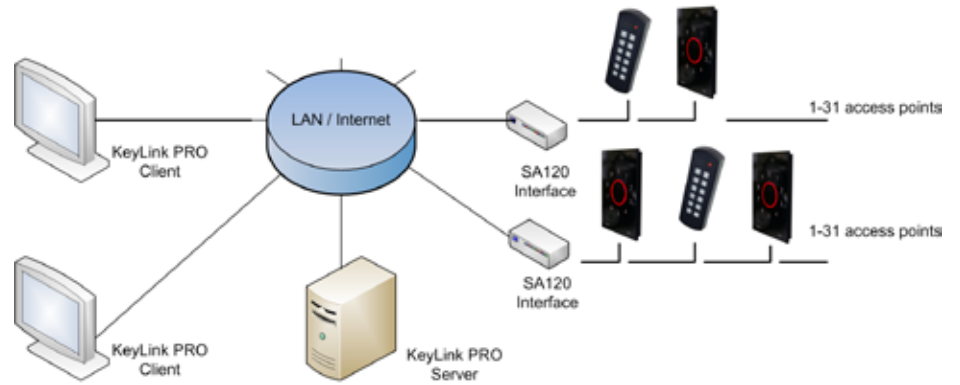


Multi-site

Access Control



Multi-site access control system

A KEY7 access control system is a flexible system using the latest technology. Based on a combination of LAN/WAN (TCP/IP) and RS485 the system is an economic solution to a complex problem. No central panel are required since the system is decentralized. The benefit is a fault tolerant function that keeps working even if the LAN/WAN or the RS485 is broken. The combination of two networks (LAN/WAN and RS485) ensures an optimized cabling thus reducing installations cost.



The access control "backbone" - the software and the interfaces, are always the same.

The access points can be chosen for the specific solution ranging from the cost optimized to the design-optimized. This makes KEY7's KeyLink PRO access control system a versatile and flexible access control system.

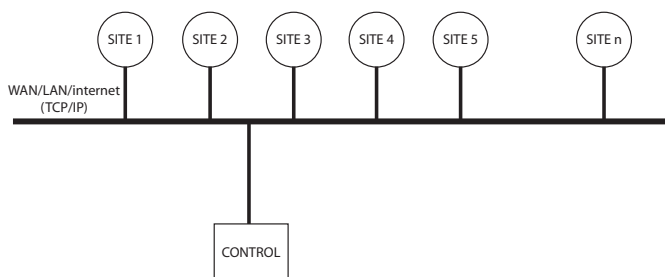
The design of a multi-site access control system uses only few parts. A typical multi-site access control application:

Example given:

- 30 sites (branches) need to be controlled from one location.
- Each site includes 3 doors that need access control.
- The sites are connected trough internet/WAN.
- No more than 1000 users are planed at each site

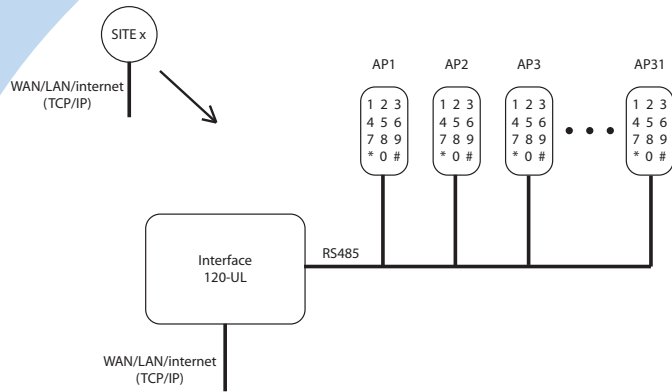
What will be needed is an access point at each door, an interface at each site and the KeyLink PRO software running on a server. To illustrate this see below figures:

Basic Site overview



This figure illustrates a number of sites connected to a common logic media. Since the media is base don TCP/IP it does not matter if the media is a WAN, LAN or internet. In this example a site could be a bank, factory, school etc. There are no limitation in the numbers of sites. The box labeled CONTROL illustrates that all sites are controlled from a single distant location. Actually the sites could be controlled from more than a single location if this is necessary.

Site detail

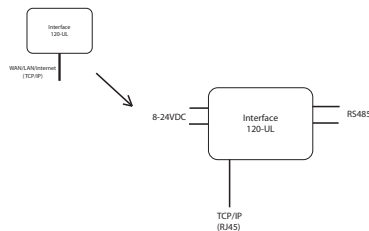
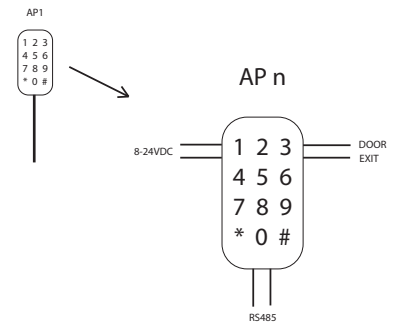


This figure illustrates a site in more detail. Each interface can handle up to 31 access points (AP). If required more interfaces can be at each site.

An access point can be any of the KEY7 series - Aero AX1, Aero AX2 or SA850. Access points can be keypads, prox readers or combo readers.

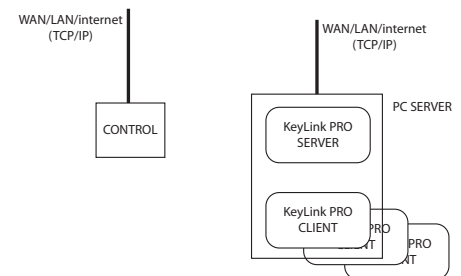
This Figure illustrates the most used connections. A KEY7 access point has always 14 connections and does thus offer a lot more than illustrated.

Each access point holds information on users, time tables etc. This ensures that operation can continue even if the RS485 or the TCP/IP connection fails.



Interfaces can handle up to 31 access points and connects to the data network via RJ45 and the RS485 access point network. The interface can be placed anywhere convenient.

The KeyLink PRO client / server software can be run on the same PC or run on separate PC's. More than one client can control the access control system but only one KeyLink PRO server may be present on the system.



Requirements

Network: Since each interface (SA120-UL) has a IP-address and they have to be able to communicate with the KeyLink PRO server the IP addresses have to be "visible" to each other. On a LAN this means they must be in the same segment and static. On a WAN/internet this means they also must be made public in the router/fire wall.

Server: Windows Server 2003 or newer, SQL database, 1GHZ CPU, 512MB RAM.

Client: Windows XP or Vista, 1GHz CPU, 256MB RAM.

KeyLink PRO 2008

KeyLink PRO 2008 is a new access control software forming a complete access control system with one or more access points and an interface. No central panel is required in this distributed configuration based on a client/server software solution with SQL database and TCP/IP connectivity.



Easy operation



Icons contribute to an intuitive user interface making daily operation an easy task.

Users are easily added and can be associated to user groups. Users are assigned pin-code and/or prox.

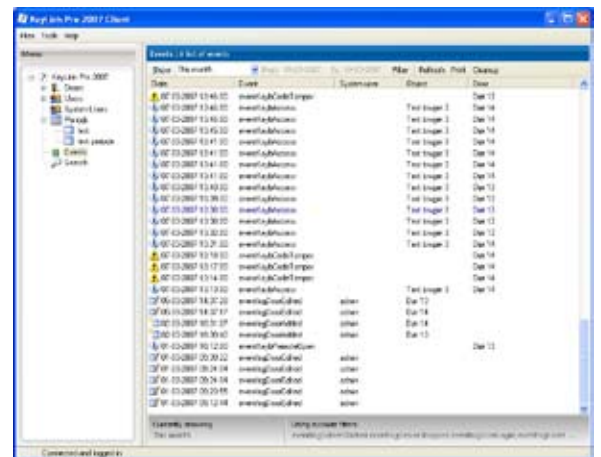
Areas are defined by one or multiple access points.

Periods describe date and time for allowed user access and normal open period for access points.

Remote operation of doors is possible with just a click.

Logs & Reports

Documentation is done with reports based on the system log. Reports can be created and printed for a defined period showing user and access point activities and system events.



System configuration

A minimum system consists of 1 interface and 1 access point but each interface can handle up to 31 access points. There is no limitation of number of interfaces.



Interfaces can connect to the KeyLink PRO 2008 software via USB or LAN (TCP/IP). Using the LAN connection installation is often more easy since the KeyLink PRO 2008 software can be run from any PC on the LAN or WAN.

Besides access control KEY 7 access points can also be used to control burglar alarm systems.

Access control system

To form a complete KEY 7 access control system everything needed is one or more access point(s), an interface and KeyLink PRO 2008 access control software. This makes the KEY 7 access control system a very flexible, a competent and a price optimized solution.